

## MTS Non-Torque Loading (NTL) System

Improve the reliability and performance of wind turbine drive trains and bearing systems

### Benefits

- » Available in a range of capacities
- » Applies rotational and off-axis loading for testing drive train systems
- » Replicates rotor hub and blade loading for testing pitch, yaw and main bearings
- » Robust and efficient design
- » Low-friction hydrostatic bearings
- » State-of-the-art MTS controls and software

Innovative MTS Non-Torque Loading (NTL) Systems are engineered to deliver extreme loads in multiple degrees of freedom to accurately simulate the complex, real-world operating environments of a variety of wind turbine systems and components.

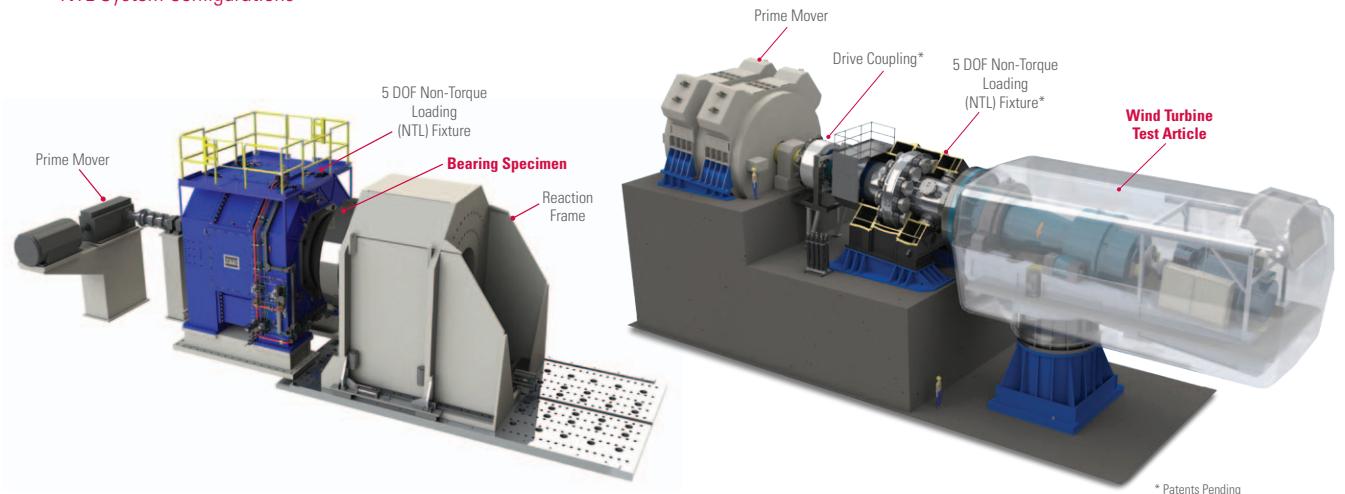
Available in a range of capacities (NTL 5U, NTL 10, NTL 20), these mechanical testing systems are ideal for optimizing the reliability of complete nacelle assemblies and drive train systems, as

well as testing a wide array of wind turbine bearings, including pitch, yaw and main bearing systems.

They feature highly robust and efficient designs that result in low cost of operation, high uptime and long life. Integral, low-friction hydrostatic bearing technology delivers superior dynamic performance, and state-of-the-art FlexTest® digital controls ensure high-fidelity simulations and optimum test accuracy.

be certain.

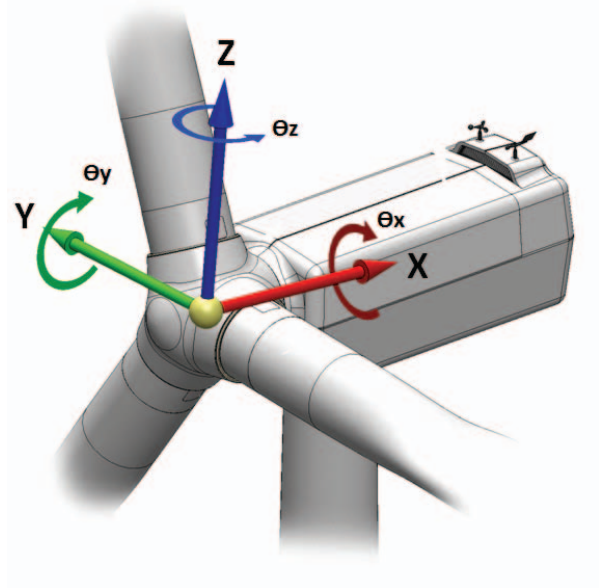
## NTL System Configurations



\* Patents Pending

## NTL System Specifications <sup>1</sup>

Parameters	Models		
	NTL 5U <sup>2</sup>	NTL 10	NTL 20
<b>Maximum Force &amp; Moments <sup>3,4</sup></b>			
Axial Force (Fx)	4 MN	4 MN	8 MN
Radial Force (Fy)	3.25 MN	3.25 MN	8 MN
Vertical Force (Fz)	3.25 MN	3.25 MN	8 MN
Drive Moment (Mx)	8 MNm	8 MNm	19 MNm
Bending Moment (My)	7.2 MNm	14.3 MNm	56 MNm
Bending Moment (Mz)	7.2 MNm	14.3 MNm	56 MNm
<b>Motion @ 0 angle <sup>5</sup></b>			
Axial Range of Motion (x)	+/-38 mm	+/-38 mm	+/-70 mm
Lateral Range of Motion (y)	+/-30 mm	+/-30 mm	+/-50 mm
Vertical Range of motion (z)	+/-30 mm	+/-30 mm	+/-50 mm
<b>Angular Motion <sup>5</sup></b>			
Angular Range of Motion ( $\Theta_y$ )	+/- 1.75 deg	+/- 1.75 deg	+/- 2.0 deg
Angular Range of Motion ( $\Theta_z$ )	+/- 1.75 deg	+/- 1.75 deg	+/- 2.0 deg
<b>Maximum Rotational Speed (N)</b>			
	50 rpm	50 rpm	30 rpm
<b>System Dimensions/Weight</b>			
Length (x/thrust direction)	2.98 m	2.98 m	-
Width (y/lateral direction)	3.8 m	3.8 m	-
Height <sup>6,7</sup>	3.6 m	3.6 m	-
Weight <sup>8</sup>	~76,000 kg	~80,000 kg	-



### NOTES:

1. Specifications subject to change, please contact MTS for specification verification
2. Fully field upgradable to NTL10 Moment capability
3. All forces and moments specified at face of NTL output shaft
4. Uniaxial (single-axis) performance
5. Under unloaded conditions
6. Does not include foundation adapter plate (must be at least 700 mm tall)
7. Does not include optional safety railing on top of system (approximately 1.1 m additional)
8. Does not include foundation adapter plate, coupling or input shaft; does include output shaft



### MTS Systems Corporation

14000 Technology Drive  
Eden Prairie, MN 55344-2290 USA

Telephone: 1-952-937-4000  
Toll Free: 1-800-328-2255  
Fax: 1-952-937-4515

E-mail: [info@mts.com](mailto:info@mts.com)  
[www.mts.com](http://www.mts.com)

ISO 9001 Certified QMS

Specifications subject to change without notice.

MTS and FlexTest are registered trademarks of MTS Systems Corporation within the United States. These trademarks may be protected in other countries. RTM No. 211177.

© 2012 MTS Systems Corporation.

100-250-214a Non-Torque Loading (NTL) Printed in U.S.A. 11/12